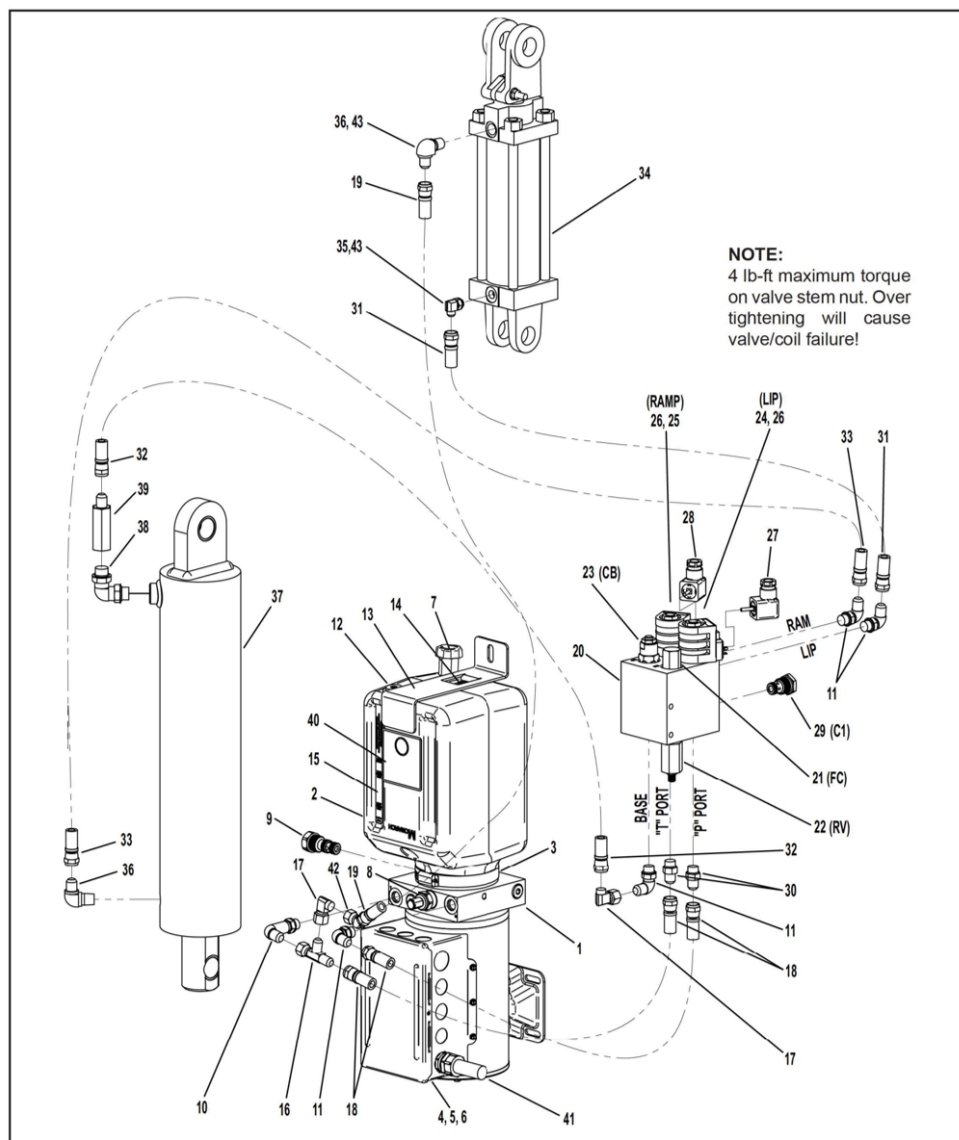


REPLACEMENT PARTS - HYDRAULIC COMPONENT PARTS



Power Unit Location Leveler Length			Left		Right		
			5' Long	6' Long	6' Long	6'L Drive	8' Long
Item	Qty.	Description	Part No.	Part No.			Part No.
1	1	Power Unit 1HP 115V/208-230V 1 Phase (Includes Items #2-15)	132749	132749	132749	132749	132749
	1	Power Unit 1HP 208-230V/380V-460V 3 Phase (Includes Items #2-15)	132750	132750	132750	132750	132750
	1	Power Unit 1HP 575V 3 Phase	132751	132751	132751	132751	132751
		(Includes Items #2-15)					
2	1	Plastic Tank 1.5Gal	132753	132753	132753	132753	132753
3	1	Hose Clamp - Tank	132754	132754	132754	132754	132754
4	1	Motor Junction Box	132760	132760	132760	132760	132760
5	1	Junction Box Cover	132759	132759	132759	132759	132759
6	1	Capacitor 1PH	132755	132755	132755	132755	132755
7	1	Breather Vent Assy .38NPT	144000	144000	144000	144000	144000
8	1	Relief Valve Kit	132757	132757	132757	132757	132757
9	1	Check Valve PTC	132758	132758	132758	132758	132758
10	1	Fitting #6MORB #6MJ 90 Long	16917	16917	16917	16917	16917
11	4	Fitting #6MORB #6MJ 90	55267	55267	55267	55267	55267
12	1	Fitting Plug #8MORB	132745	132745	132745	132745	132745
13	1	Retaining Bracket	132761	132761	132761	132761	132761
14	1	Retaining Bracket Bolt	58069	58069	58069	58069	58069
15	1	Oil Level Decal	132764	132764	132764	132764	132764
16	1	Fitting Tee 6FJS 6MJ 6MJ	121070	121070	121070	121070	121070
17	2	Fitting Elbow 90 #6MJ #6FJS	100364	100364	100364	100364	100364
18	2	Hose .38DIA #6FJS (Manifold)	124728	124728	124728	124728	124728
19	1	Hose .38DIA #6FJS	125002	124738	124731	124732	124733
20	1	Manifold Assy RHV40 ADJ Relief	137488	137488	137488	137488	137488
21	1	Fixed Pressure Comp. Flow Control Valve "FC"	55299	55299	55299	55299	55299
22	1	Lip Out Valve (Adjustable) 800 PSI Relief "RV"	137489	137489	137489	137489	137489
23	1	Counterbalance Valve 1:1 Ratio "CB"	55388	55388	55388	55388	55388
24	1	3 WAY 2 POS. Cartridge Valve "LIP"	55186	55186	55186	55186	55186
25	1	4 WAY 2 POS. Cartridge Valve "RAMP"	55184	55184	55184	55184	55184
26	2	120 VAC Coil HC Encap.	57731	57731	57731	57731	57731
27	1	Cable Hirschmann Yellow	128102	128102	128102	128102	128102
28	1	Cable Hirschmann Black	128101	128101	128101	128101	128101
29	1	Lip Check Valve "C1"					
30	2	Fitting #6MORB #6MJ	55386	55386	55386	55386	55386
CONSULT FACTORY							
31	1	Hose .38DIA #6FJS (10" Deep Frame)	124729	124729	-	-	-
	1	Hose .38DIA #6FJS (12-15" Deep Frame)	124729	124729	124728	124731	124732
32	1	Hose .38DIA #6FJS (10" Deep Frame)	132937	124733	-	-	-
	1	Hose .38DIA #6FJS (12-15" Deep Frame)	124732	124999	124734	124734	124734
33	1	Hose .38DIA #6FJS (10" Deep Frame)	125002	124729	-	-	-
	1	Hose .38DIA #6FJS (12-15" Deep Frame)	125002	124736	124738	124738	124738
34	1	Lip Cylinder 2.5" Bore 6STR 2PORT	119291	119291	119291	119291	119291
35	1	Fitting Elbow 90 #4MORB #6MJ	19035	19035	19035	19035	19035
36	2	Fitting Elbow 90 .38NPT 6MJ ZP	104787	104787	104787	104787	104787
37	1	Ramp Cylinder 4" Bore (12"-15" PIT)	123691	123691	123691	123691	123691
	1	Ramp Cylinder 4" Bore (10" PIT)	123692	123692	-	-	-
38	1	Elbow 90 #8MORB	17808	17808	17808	17808	17808
39	1	Velocity Fuse 7GPM 8FORB 6MJ	55393	55393	55393	55393	55393
40	1	Decal Oil HYD BIO FL(85+%)	119530	119530	119530	119530	119530
41	1	Power Harness 31L	124466	124466	124466	124466	124466
41	1	Power Harness 168L (Special harness used only on 5ft and 6ft long RHV4100 installed in an existing 5ft or 6ft long Rite-Hite HDVHL)	146398	146398	-	-	-
42	1	Fitting Elbow 45 #6MJ #6FJS	-	-	55364	55364	55364
43	0/2	Hose .38DIA 6L #6FJS #6MJ (non standard length only)	129304	129304	129304	129304	129304
44	-	STD - RH Biodegradable Fluid(quart/blue in color)	119181	119181	119181	119181	119181
	-	OPT - Mil 5606 Fluid (quart/red in color)	108303	108303	108303	108303	108303