

LiteSpeed® High Performance Doors

Much more than a new door. A whole new standard. From the soft bottom edge to the simple, low-maintenance design platform, it's become the new standard for safe, reliable, productive performance in the general-duty industrial door category.

An edge on safety

The industry's only true soft bottom edge. No hidden metal or plastic support. No buried electrical wiring. 100% fabric for a softer, safer cushion. And a higher degree of protection for product, personnel and equipment.

TRUE Auto Re-feed™

For automatic re-feeds, on the fly, with no human interaction. Impacts won't impact production.

Strong, silent type

Powerful 1 HP motor and variable frequency drive system combine for class-leading speed and super-quiet performance.

The speed advantage starts with installation

Comes fully pre-wired and tested from the factory. Reduces electrical installation by up to two hours.

Fewer moving parts

Less maintenance. Keeping downtime to a minimum. Less really is more.

Smaller footprint

Compact extruded aluminum or stainless steel side frames for a cleaner look. Ideal for installation in tighter spaces.

Tough PVC vinyl curtain

Completely heat sealed. Complies with USDA, FDA and GMP guidelines.

Reversing slack sensor

Reverses the door's travel when an obstruction is sensed.



Available Header Shroud



Available in Stainless Steel



Graphic User Interface (GUI)

Specifications

Speed

- » Peak speed up to 65"/sec (1.65 m/sec) with standard variable-frequency drive
- » Closing speed 30"/sec (0.76 m/sec)

Size

- » **Minimum** - 3'0" w x 3'0" h (914 mm x 914 mm)
- » **Maximum** - 12'0" w x 12'0" h (3657 mm x 3657 mm)

Curtain Material

- » 27 oz. vinyl
- » Optional – 30 oz. urethane
- » Standard Color: Blue – other colors available upon request

Side Frames

- » Black anodized aluminum - 3 3/4" (95 mm) wide x 2 1/8" (53 mm) projection
- » Optional – Stainless steel

Drive System

1 HP motor, variable frequency drive, absolute encoder

Electrical Requirements

- » **Single-phase:** 220V-240V
- » **Three-Phase:** 208V, 230V, 400V, 460V, 575V

Control box

- » i-COMM™ 3 Digital Controller, variable frequency drive.
- » Pre-wired and factory tested.
- » Standard fiberglass NEMA 4X.

Graphic User Interface (GUI)

Industry's only 7" (178 mm) LCD touch screen interface that provides increased safety by allowing an individual to simply access the control box settings without wearing the necessary PPE often required for accessing a live electrical panel.

Curtain Retention

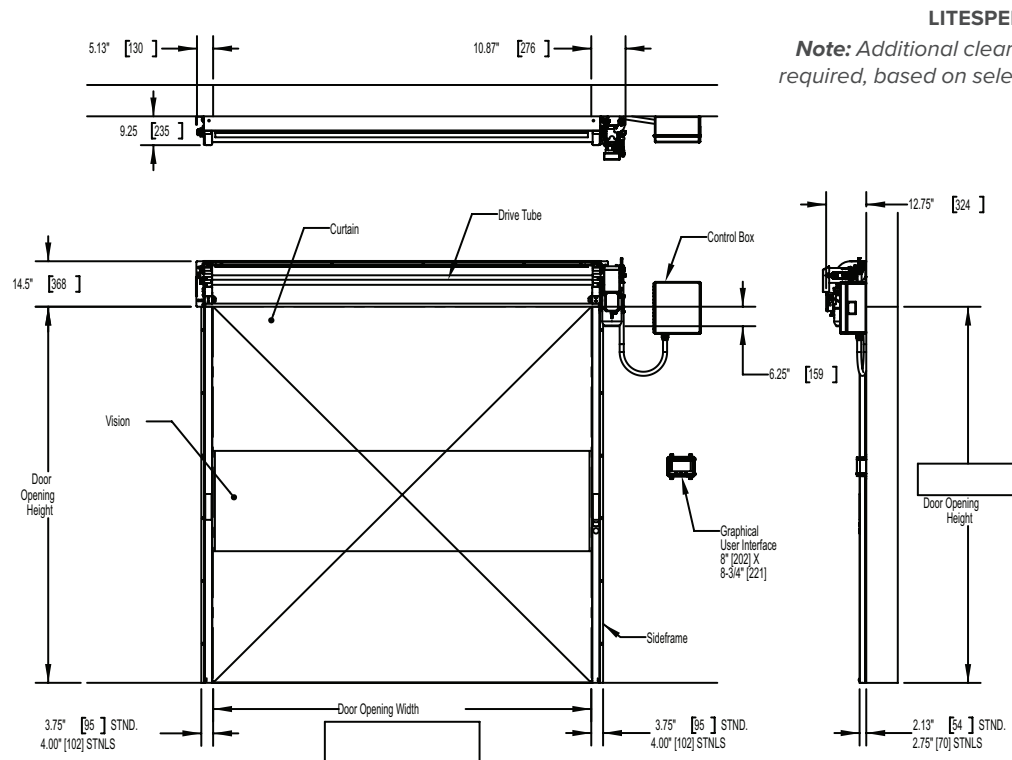
- » Standard pressure retention up to 0.2 in - H₂O (50 Pa)
- » Includes TRUE Auto Re-feed system in case of accidental impacts to curtain

Safety Features

Soft Breakaway™ Technology, thru-beam photo eye at 18" (457mm) off the floor, reversing sensor. Optional – Virtual Vision™, non-power opening, motion and presence sensors.

Warranty

Five (5) Year for motor, brake and gearbox.
Two (2) Year on all mechanical and electrical parts.
One (1) Year labor.



D20LSS51218H1

8900 North Arbon Drive
Milwaukee, WI 53223, USA

P 414-355-2600 (800-456-0600)

F 414-355-9248

Rite-Hite®, LiteSpeed®, TRUE Auto Re-feed™, i-COMM™ are trademarks of Rite-Hite Holding Corporation. Rite-Hite products are covered by one or more U.S. patents with other U.S. and foreign patents pending. The information herein is provided as a general reference only regarding the use of the applicable products. The specifications stated here are subject to change. Manufactured by: Rite-Hite Industrial Door Corporation.

www.ritehite.com