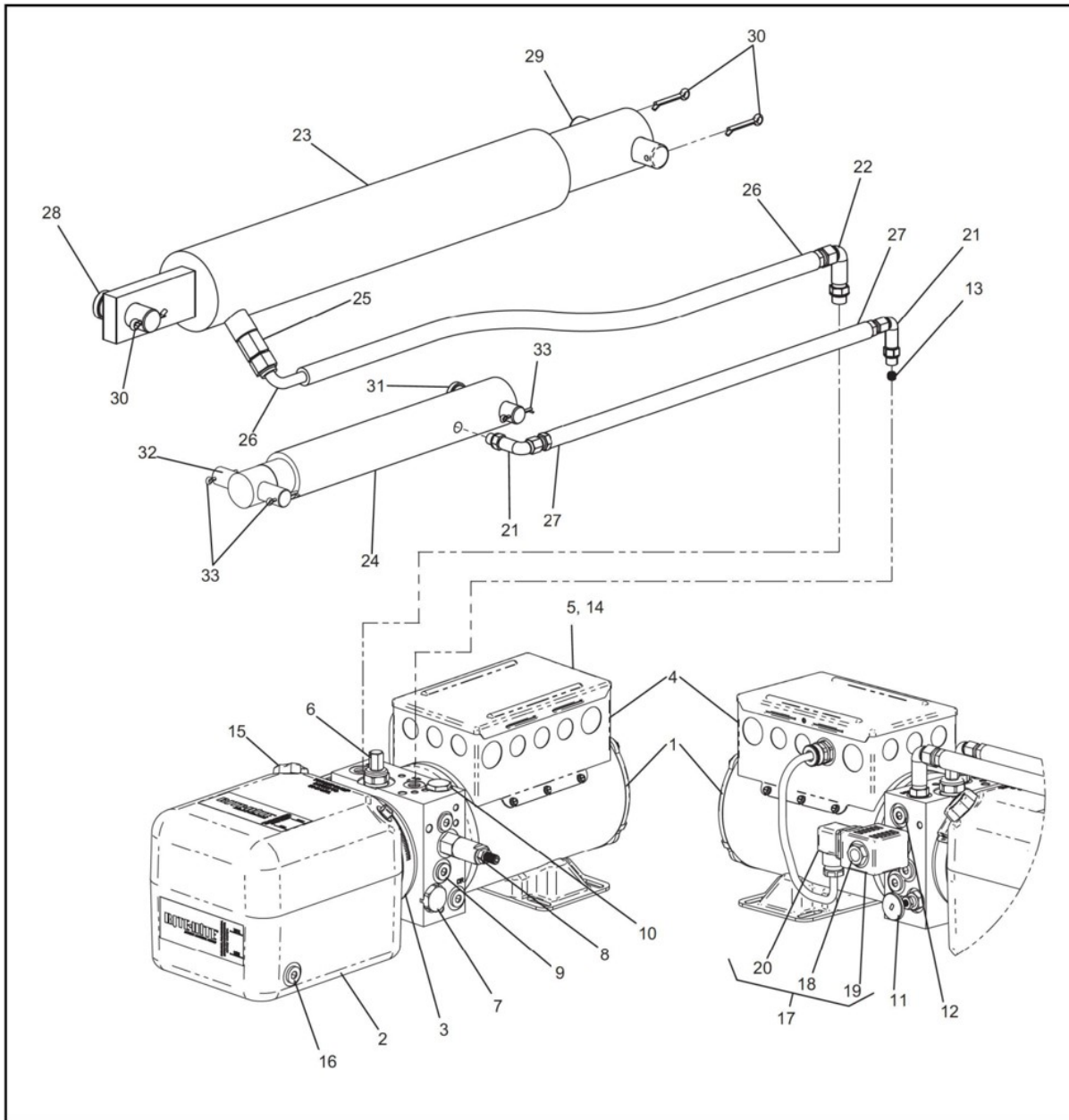


# HYDRAULIC REPLACEMENT PARTS - BASE (BUCHER POWER UNIT)



Item	Qty.	Description	Leveler Length			
			6' Long	8' Long	10' Long	12' Long
1	1	Power Unit 115/230v 1ph	141167	141167	141167	141167
	1	Power Unit 208-230/380-460v 3ph	141168	141168	141168	141168
	1	Power Unit 575v 3ph	141169	141169	141169	141169
2	1	Tank Assembly 10L Plastic	141177	141177	141177	141177
3	1	Hose clamp	132754	132754	132754	132754
4	1	Junction Box	132760	132760	132760	132760
5	1	Junction Box Cover	132759	132759	132759	132759
6	1	Relief Valve Kit	132757	132757	132757	132757
7	1	Check Valve PTC 3:1 (Ramp)	142602	142602	142602	142602
8	1	Sequence Valve	147785	147785	147785	147785
9	1	Check Valve PTO 3:1 (Lip)	142604	142604	142604	142604
10	1	Check Valve with Screen	142606	142606	142606	142606
11	1	Needle Valve (Flow control)	142607	142607	142607	142607
12	1	Check Valve PTC 8:1 (Lip)	143217	143217	143217	143217
13	1	Plug fitting	142608	142608	142608	142608
14	1	Capacitor (1ph only)	132755	132755	132755	132755
15	1	Breather cap	141470	141470	141470	141470
16	1	Plug fitting	137254	137254	137254	137254
17	1	ESB Kit 120v	128904	128904	128904	128904
	1	IFC Kit 120v	128903	128903	128903	128903
18	1	ESB valve	128906	128906	128906	128906
	1	IFC valve	128907	128907	128907	128907
19	1	ESB/IFC Coil 120v	17273	17273	17273	17273
20	1	Harness	19091	19091	19091	19091
21	2	Elbow fitting #4	16918	16918	16918	16918
22	1	Elbow fitting #6	16917	16917	16917	16917
23	1	Main Cylinder, Single Acting	129344	129340	129341	129341
24	1	Lip Cylinder, Single Acting	102239	102239	102239	102239
25	1	Velocity fuse	129343	129342	129346	129346
26	1	Hose Assembly (Ramp)	119776	119776	117058	117058
27	1	Hose Assembly (Lip)	108963	108963	117526	117526
28	1	Clevis pin, Main Cylinder (Top)	130013	130013	130013	130013
29	1	Clevis pin, Main Cylinder (Bottom)	122972	122972	122972	122972
30	3	Cotter pin, .188dia	51907	51907	51907	51907
31	1	Clevis pin, Lip Cylinder (Rear)	130015	130015	130015	130015
32	1	Clevis pin, Lip Cylinder (Front, no ARTD)	129231	129231	129231	129231
33	3	Cotter pin, .125dia	51903	51903	51903	51903
34	-	STD - RH Biodegradeable Fluid (quart/light blue in color)	119181	119181	119181	119181
	-	OPT - Mil 5606 Fluid (quart/red in color)	108303	108303	108303	108303